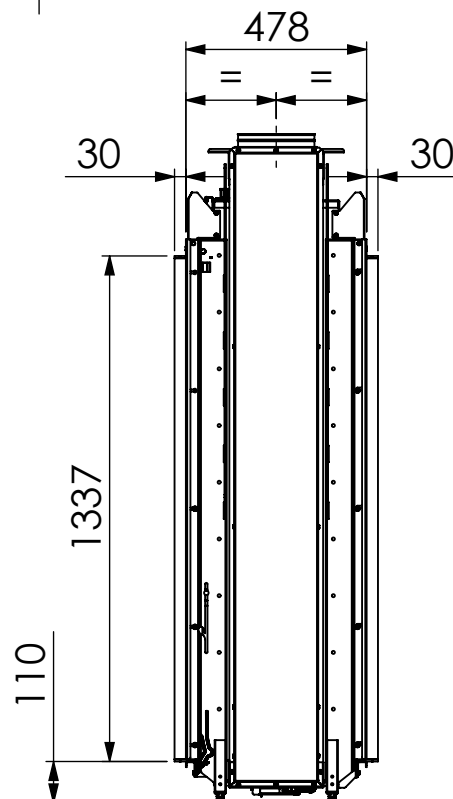
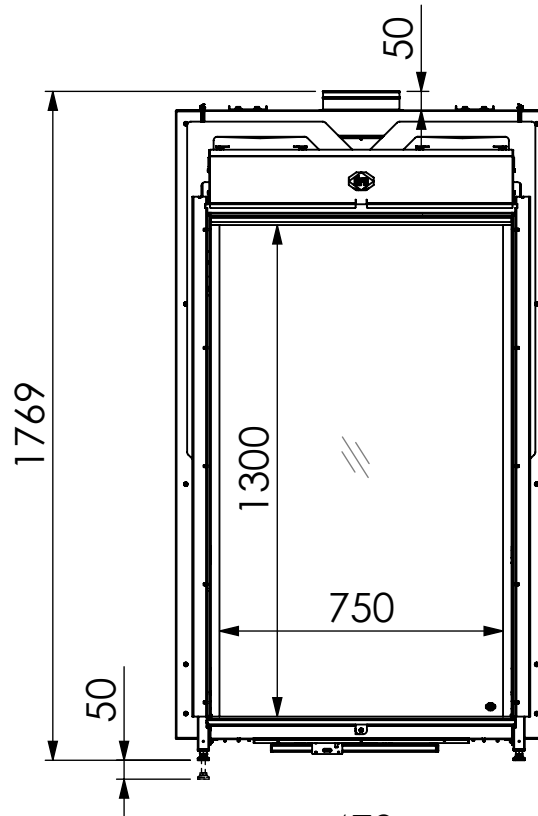
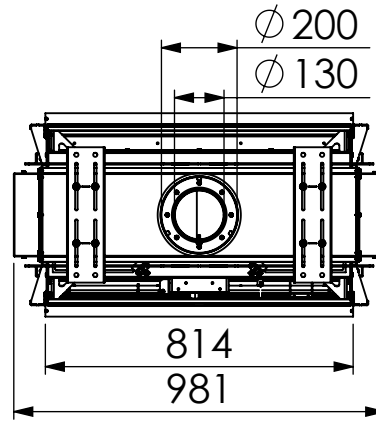
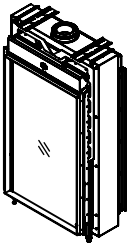
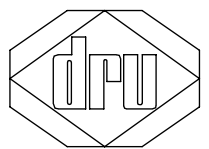
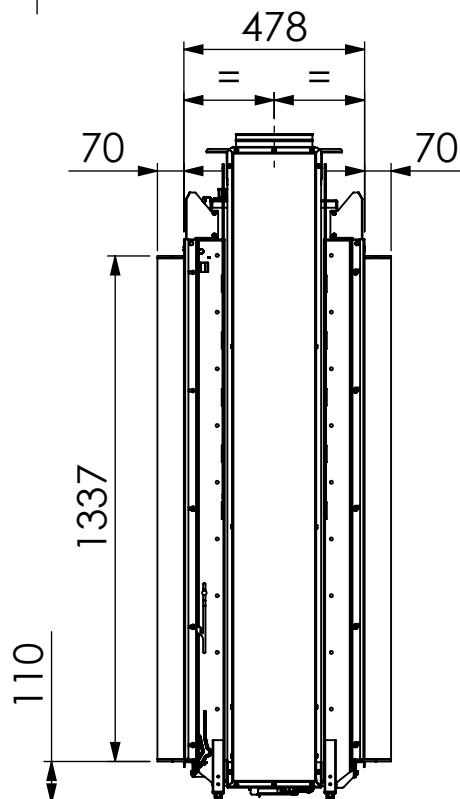
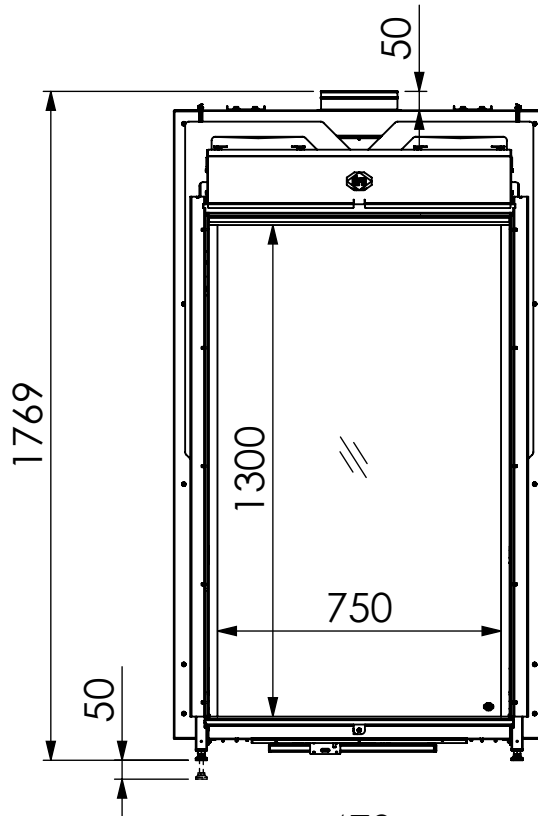
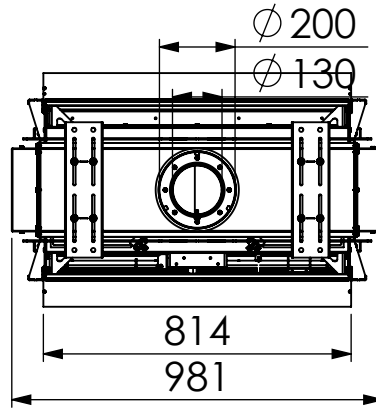
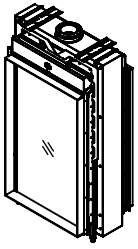


# Maestro 75 Tall Tunnel RCH



# Maestro 75 Tall Tunnel RCH 4S B=100



# Maestro 75 Tall Tunnel RCH 4S B=130

